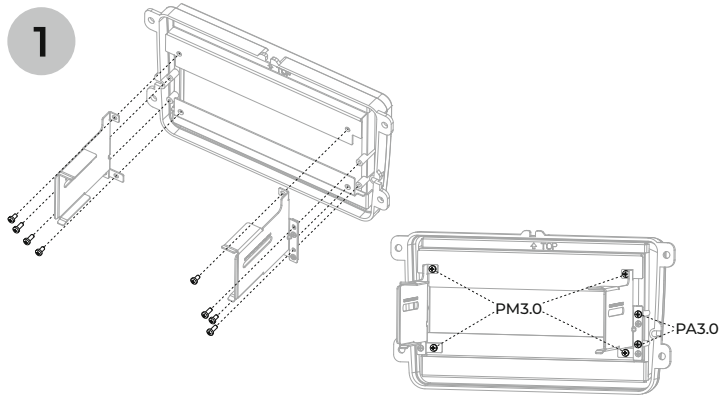


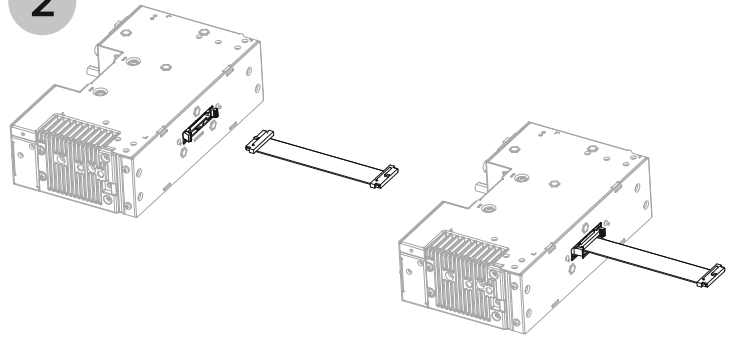
V9W / V10W Assembly Instruction

1



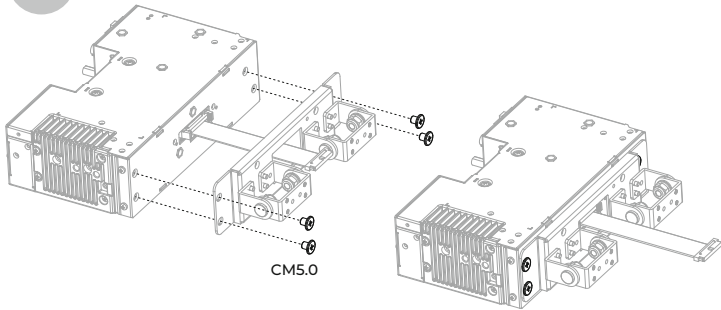
Put radio holder and bezel together

2



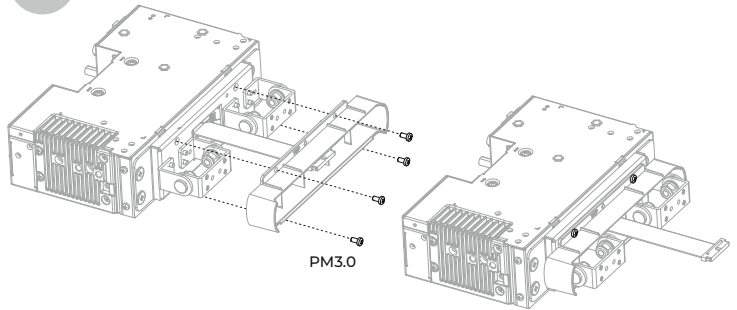
Connect the connection cable to the main unit

3



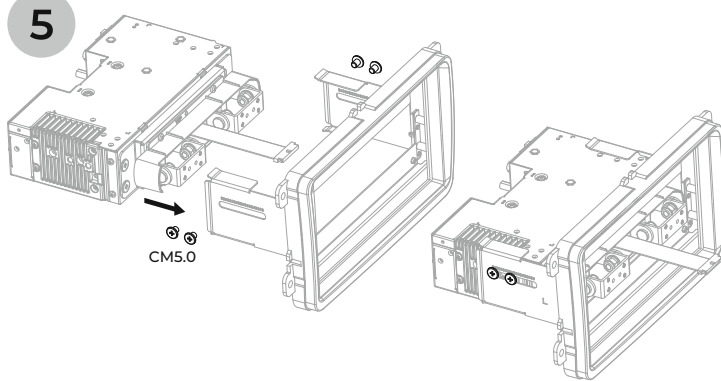
Put the main unit and rotary damper together

4



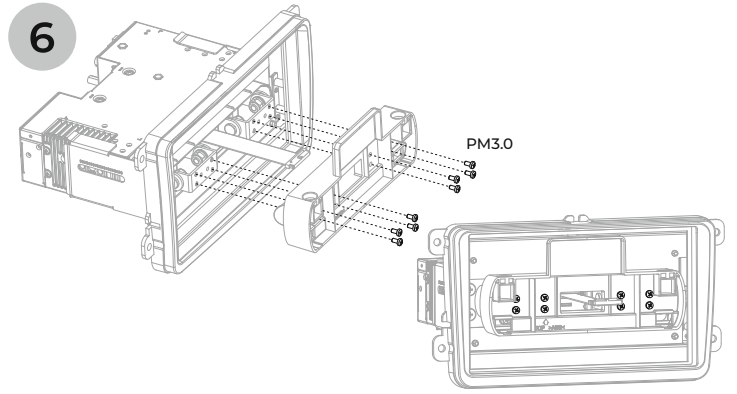
Put the main unit and rotary damper together

5



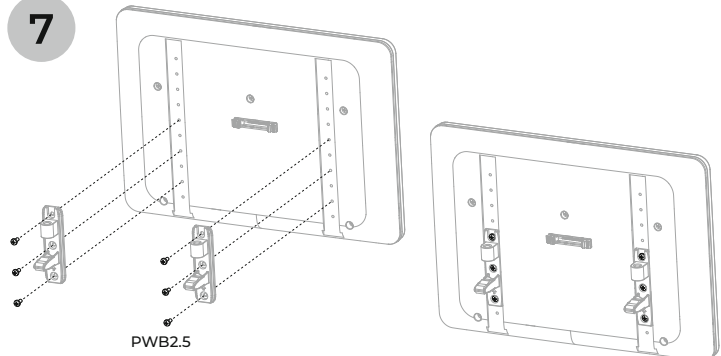
Put the main unit and the radio bezel together

6



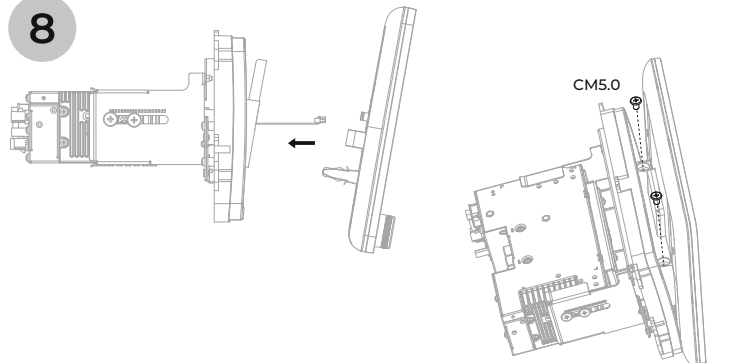
Put the radio main unit and monitor stand together

7



Put the display and the display holder together

8



Install the radio main unit and fix the display